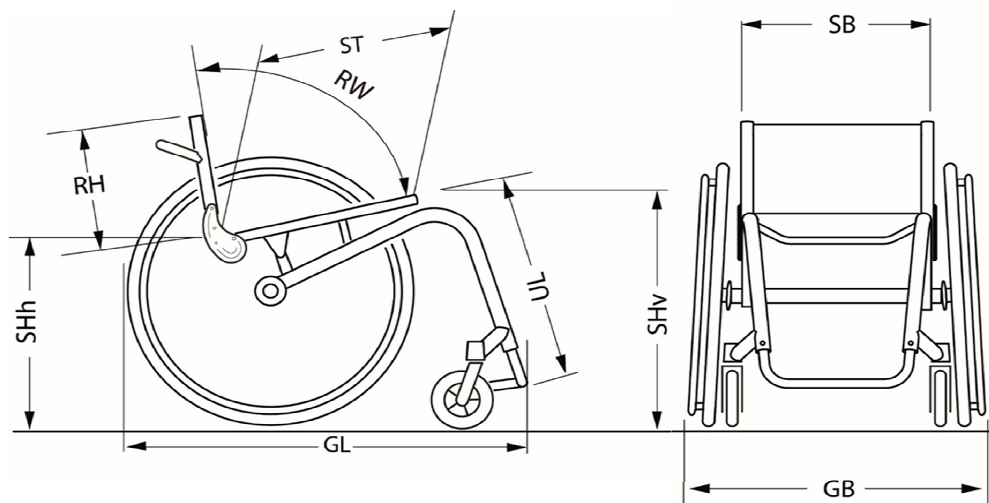


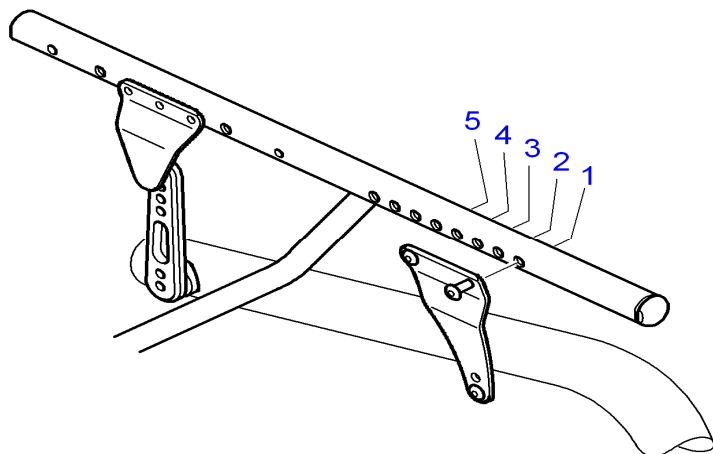
KÜSCHALL K-SERIES

Technical Sheet

Legenda misure



Posizione modulo seduta



Tipo di telaio/Altezza anteriore (SHv)/Lunghezza gambe (UL)/Diametro ruote posteriori

Frame	24" rear wheels			25" rear wheels			26" rear wheels			
	SHv	Footrest / Carbon footplate	Flip-up footplate	SHv	Footrest / Carbon footplate	Flip-up footplate	SHv	Footrest / Carbon footplate	Flip-up footplate	
AI	75° Short	45	33-42	29-42	46	33-43	29-43	47	33-44	29-44
		46	34-43	30-43	47	34-44	30-44	48	34-45	30-45
		47	35-44	31-44	48	35-45	31-45	49	35-46	31-46
	75° Standard	48	37-45	33-45	49	37-46	33-46	50	37-47	33-47
		49	38-46	34-46	50	38-47	34-47	51	38-48	34-48
		50	39-47	35-47	51	39-48	35-48	52	39-49	35-49
	75° +50mm	50	39-47	35-47	51	39-48	35-48	52	39-49	35-49
		51	40-48	36-48	52	40-49	36-49	53	40-50	36-50
		52	41-49	37-49	53	41-50	37-50	54	41-51	37-51
	90° Short	45	33-41	29-41	46	33-42	29-42	47	33-43	29-43
		46	34-42	30-42	47	34-43	30-43	48	34-44	30-44
		47	35-43	31-43	48	35-44	31-44	49	35-45	31-45
90° Standard	48	38-44	33-44	49	38-45	33-45	50	38-46	33-46	
	49	39-45	34-45	50	39-46	34-46	51	39-47	34-47	
	50	40-46	35-46	51	40-47	35-47	52	40-48	35-48	
90° +50mm	50	40-46	36-46	51	40-47	36-47	52	40-48	36-48	
	51	41-47	37-47	52	41-48	37-48	53	41-49	37-49	
	52	42-48	38-48	53	42-49	38-49	54	42-50	38-50	
75° Adduktion	48	37-45	NC	49	37-46	NC	50	37-47	NC	
	49	38-46	NC	50	38-47	NC	51	38-48	NC	
	50	39-47	NC	51	39-48	NC	52	39-49	NC	
90° Adduktion	48	38-44	NC	49	39-45	NC	50	39-46	NC	
	49	40-45	NC	50	40-46	NC	51	40-47	NC	
	50	41-46	NC	51	41-47	NC	52	41-48	NC	
II	75° Titan	48	37-45	NC	49	37-46	NC	50	37-47	NC
		49	38-46	NC	50	38-47	NC	51	38-48	NC
		50	39-47	NC	51	39-48	NC	52	39-49	NC
90° Titan	48	38-44	NC	49	38-45	NC	50	38-46	NC	
	49	39-45	NC	50	39-46	NC	51	39-47	NC	
	50	40-46	NC	51	40-47	NC	52	40-48	NC	
C	Carbon	49	38-46	34-46	50	38-47	34-47	51	38-48	34-48
		50	39-47	35-47	51	39-48	35-48	52	39-49	35-49