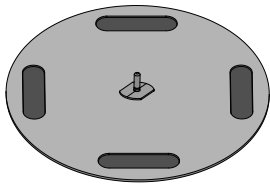
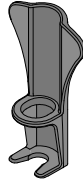




1 x



1 x

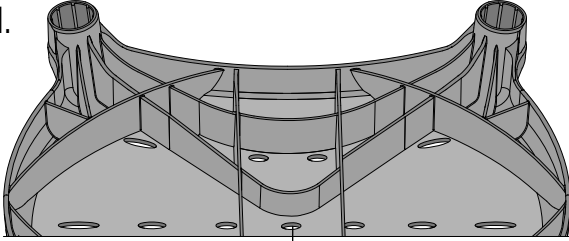


1 x

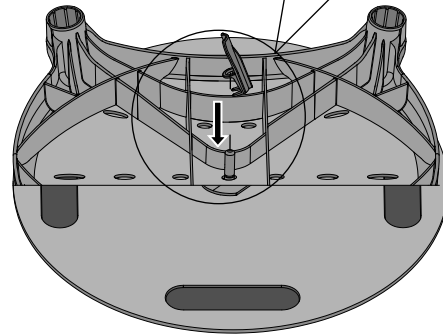
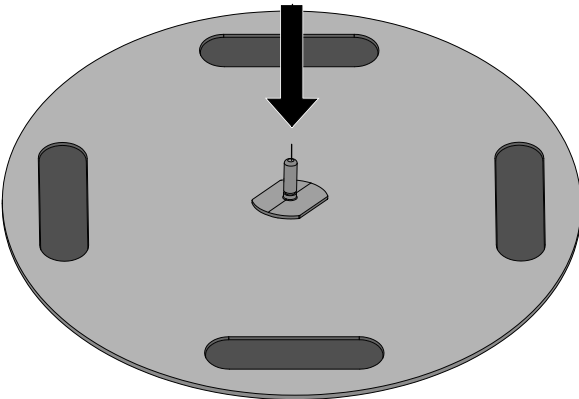
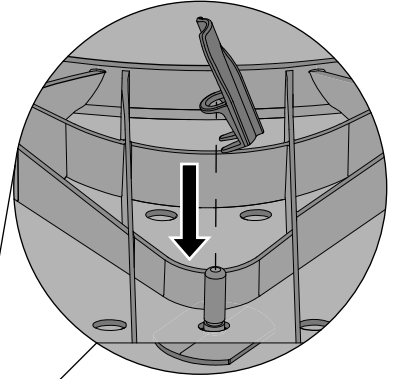


# Aquatec® Disk for Dot

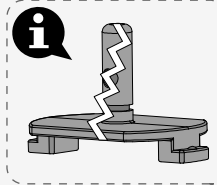
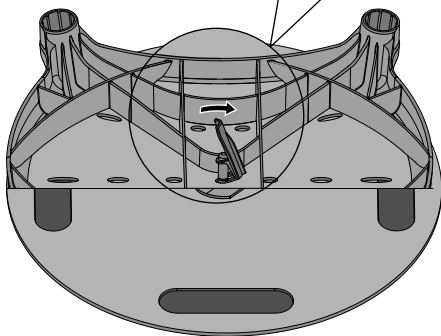
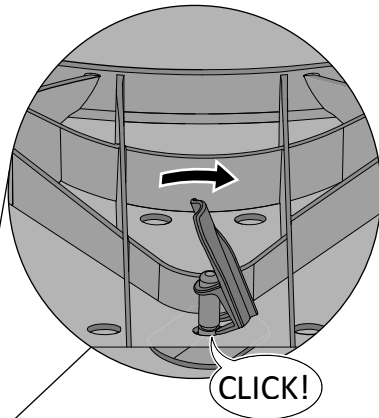
1.



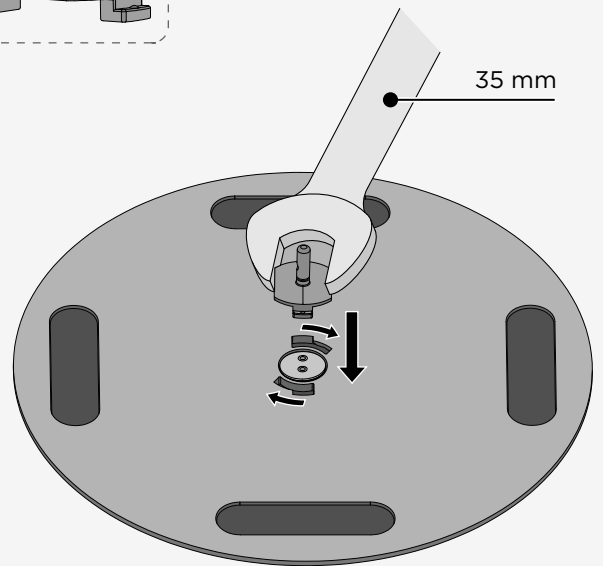
2.



3.



35 mm



Invacare GmbH  
Am Achener Hof 8  
88316 Isny  
Germany

**AQUATEC®**

